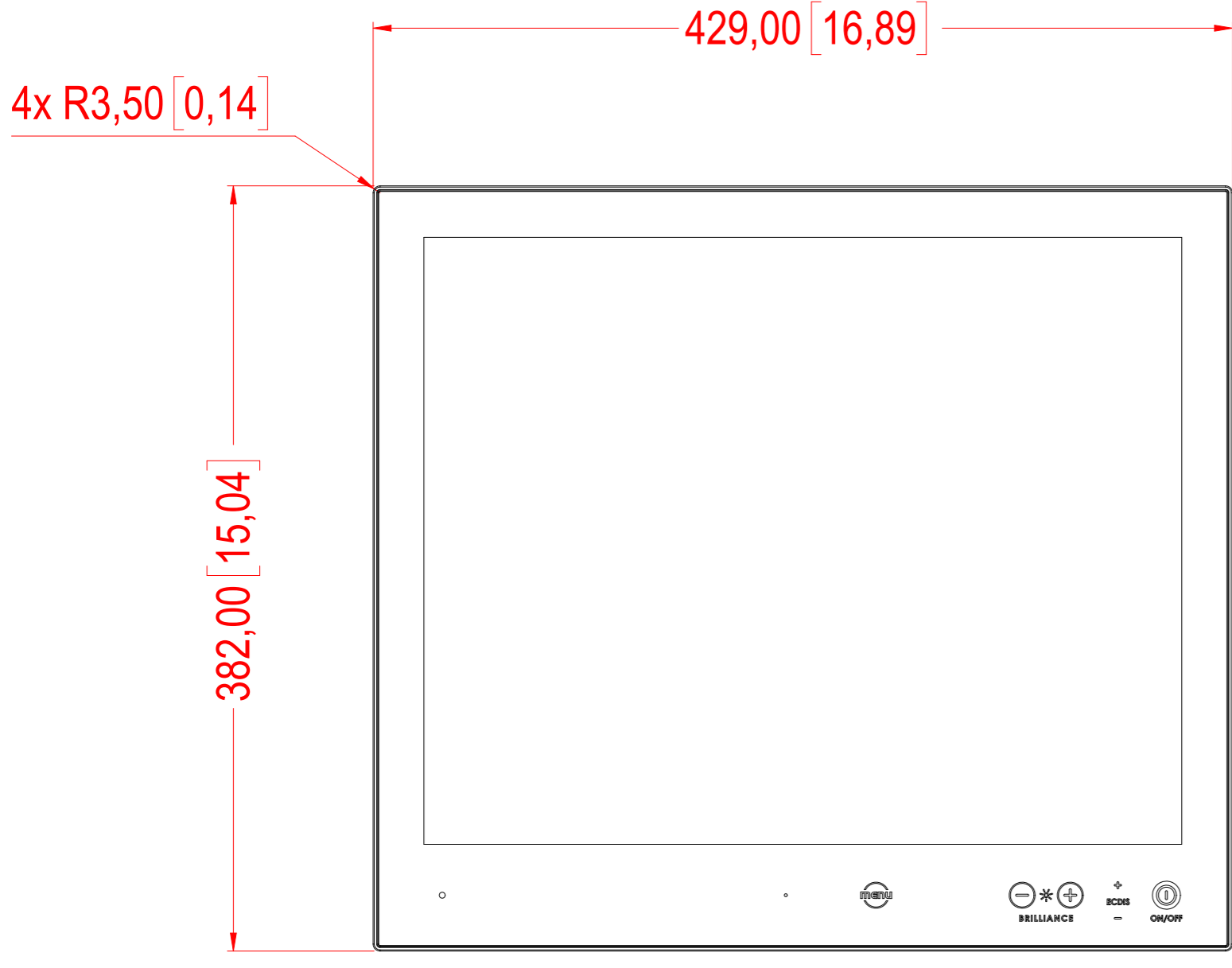


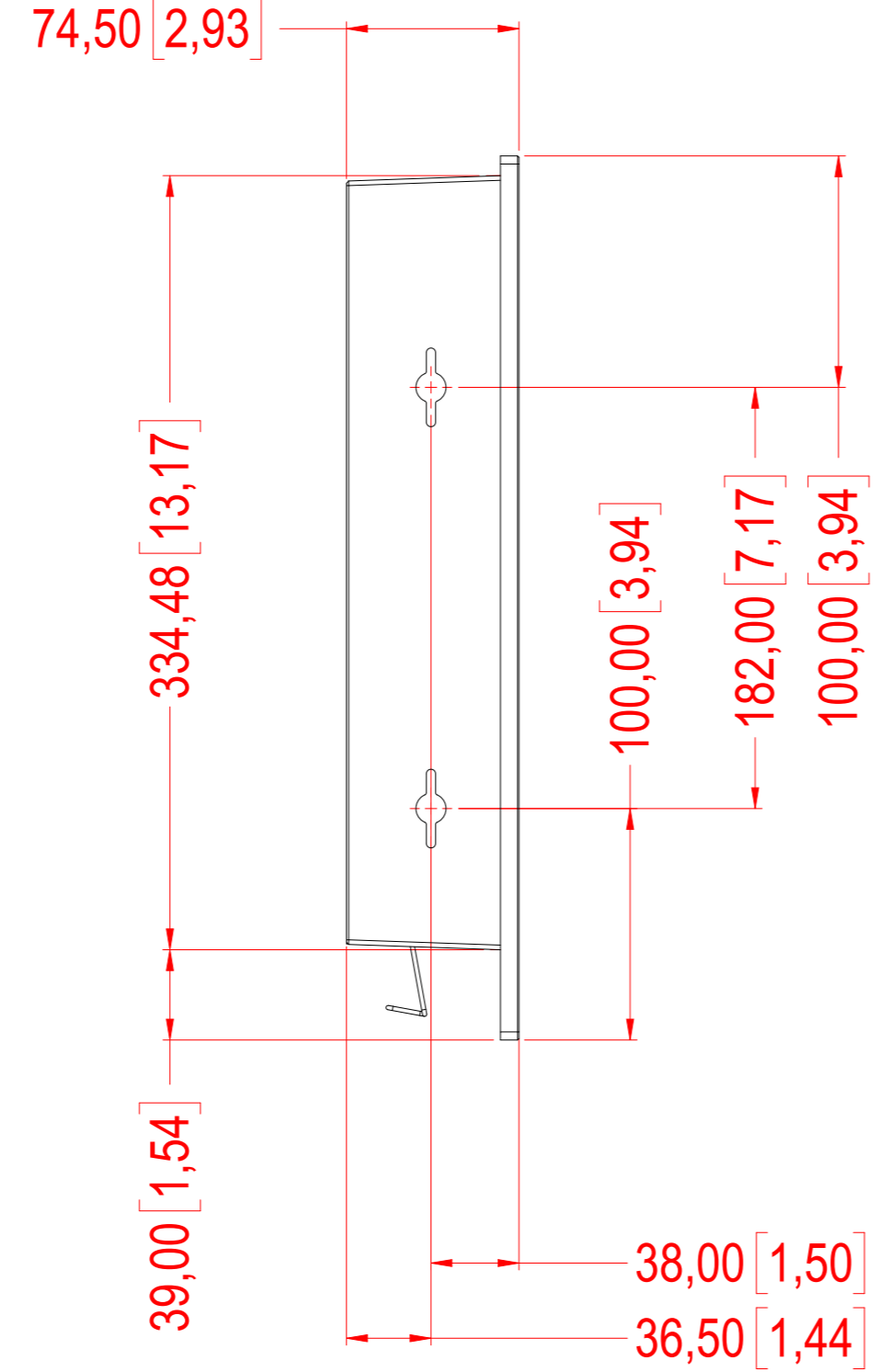
This document is the property of Hatteland Technology AS. This document and any authorized reproduction thereof, must not be used in any way against the interest of Hatteland Technology AS. Any unauthorized reproduction, in whole or in part, must include this legend.

HATTELAND TECHNOLOGY STANDARD		Created by	Date	Modified by	Date	Revision
Material type and Quality:		#101	25-09-2014	2011	14-03-2011	2
Aluminum 5052, standard EN 485-2 (1 & 2)		Surface treatment:				(1) TRIKATION (Zinc/Mangan Phosphating)
Si-37 AluZnFe, standard EN 10215 (1)						(2) Powder coating RAL 9011 EPOXY STRUCTUR DU-POUR EPOXY-4990227
Stainless Steel AISI 316 L, standard EN 4464						
Welding specification						Tolerance:
NS-EN-288-4						ISO 2768-1 middel
Sheet metal fasteners:						
PSM International or equivalent (www.psminternational.com)						

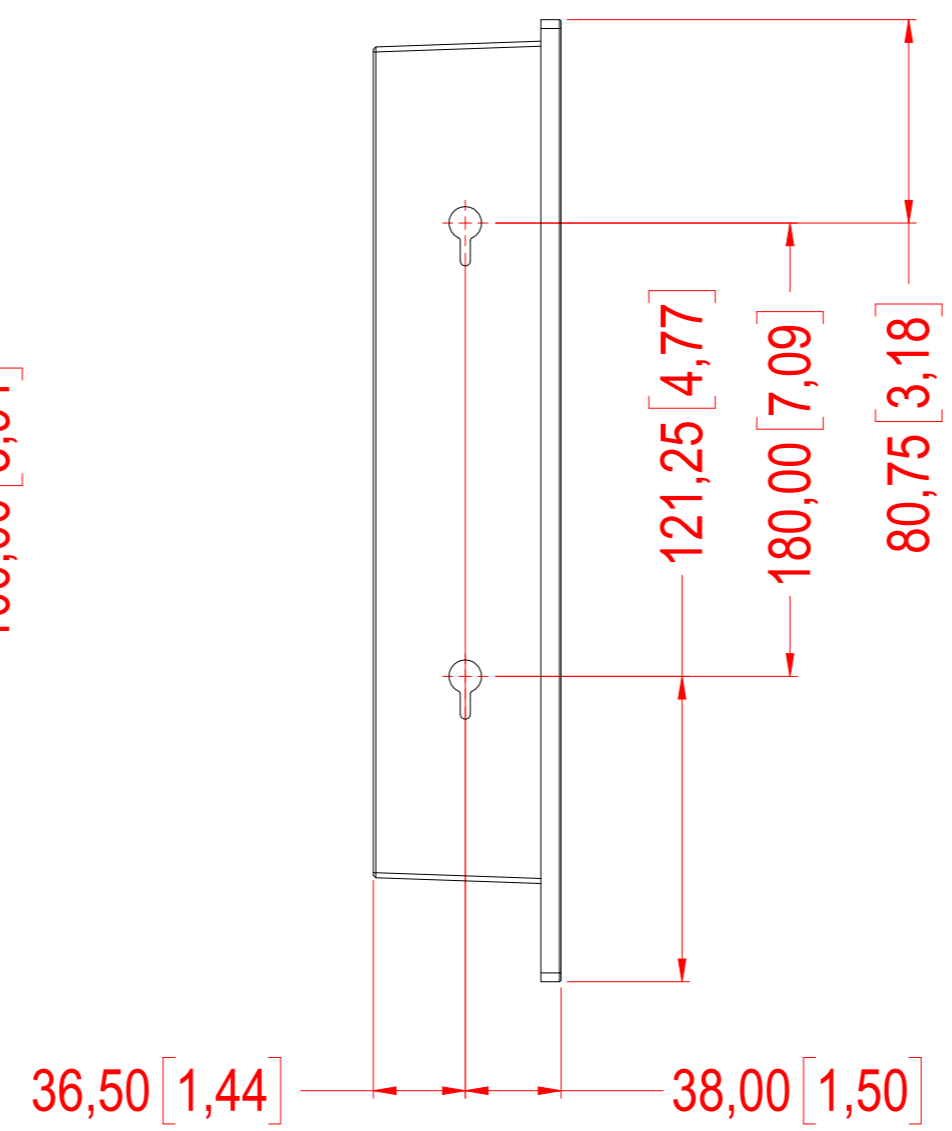
FRONT VIEW



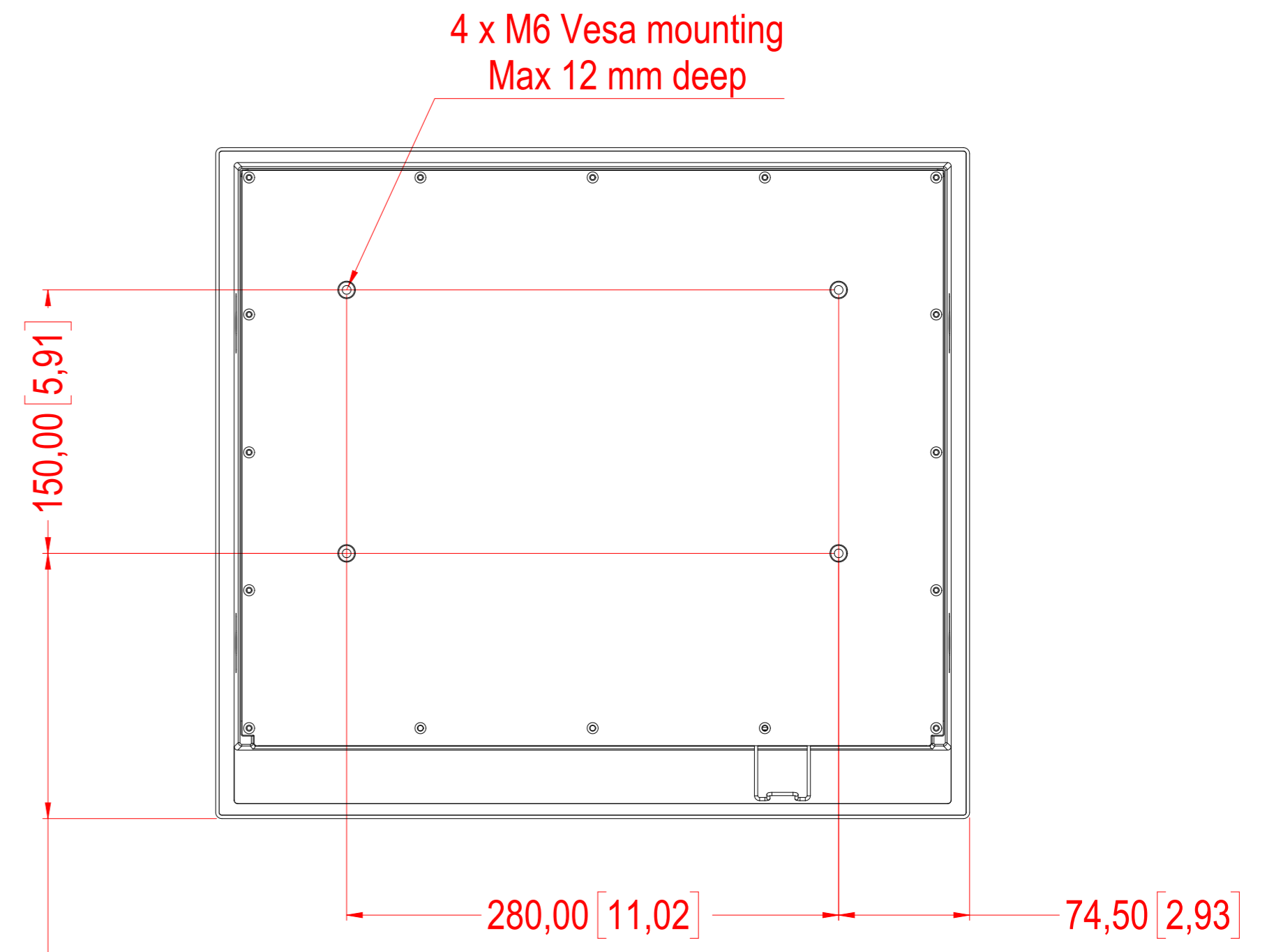
SIDE VIEW Double keyholes



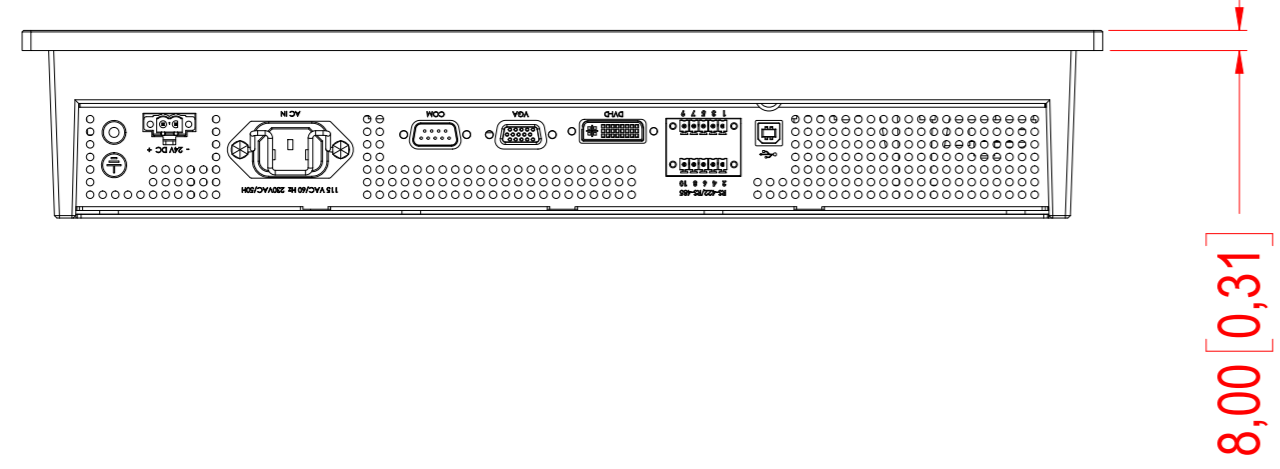
SIDE VIEW Single keyholes



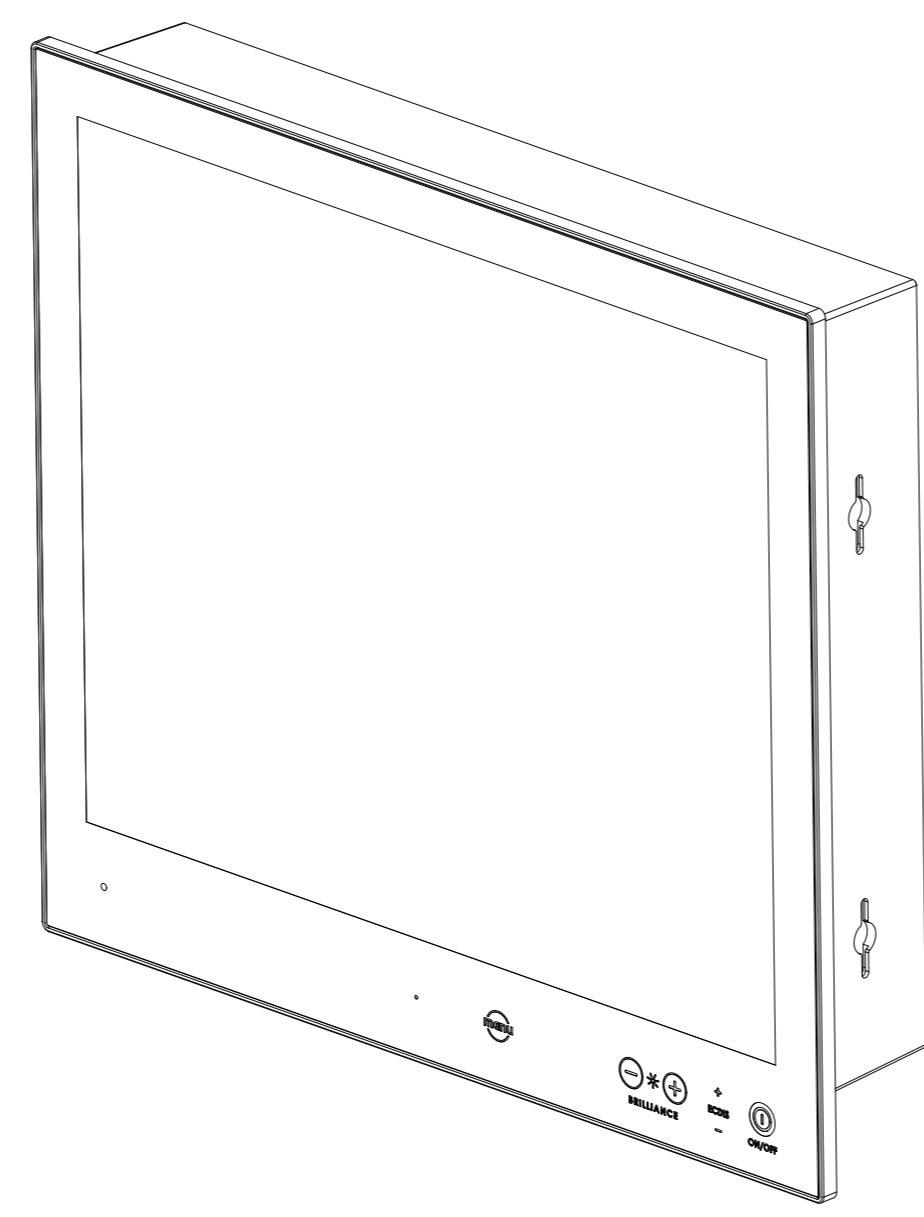
BACK VIEW



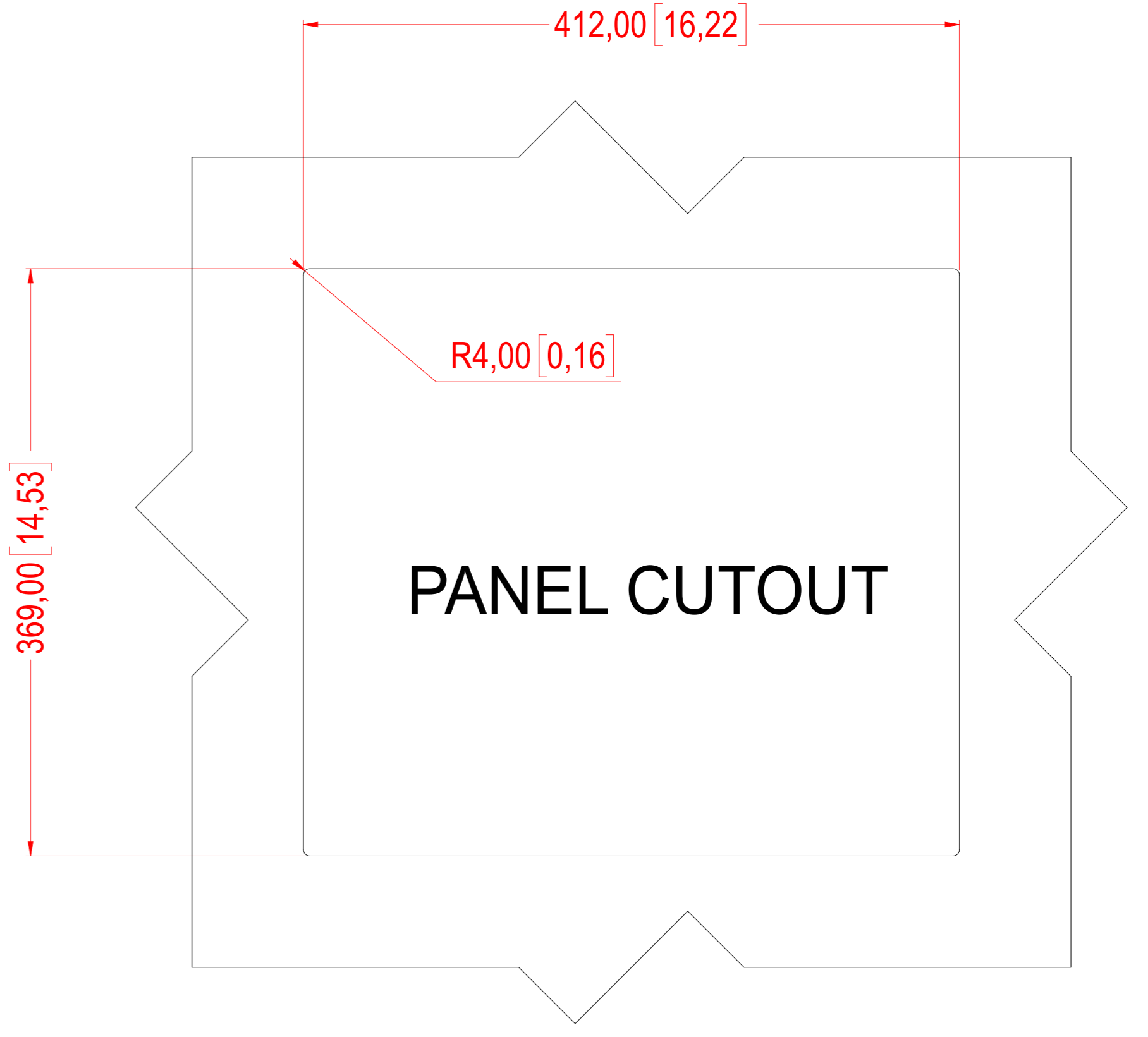
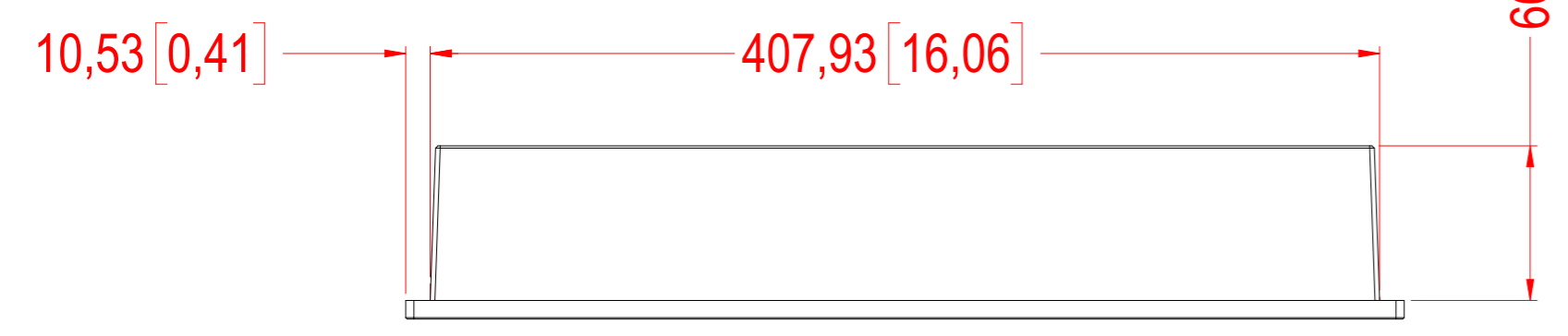
BOTTOM VIEW



DIMETRIC VIEW



TOP VIEW



Units: mm [inches]

SALES DRAWING HD 19T21 STD-MA1-FAGA
model shown in this drawing, but measurements generally apply for all HD 19T21 STD-xxx-Fxxx models

Date:	Mechanical Design	Projection:	Size: A1 Format	HATTELAND TECHNOLOGY an EMBRON Company
05-12-2011	7251		Scale: 1:3	
Hatteland Technology AS Eikeskogvegen 52 N-5570 Aksdal			Colour code:	Approved by: -- Revision: 1
			Surface treatment:	Drawing number: A002576-1